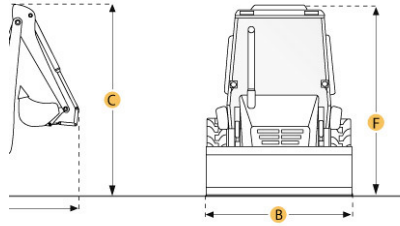
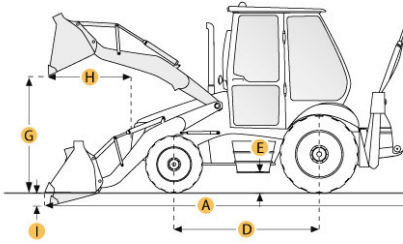


CASE 695 SUPER R LOADER BACKHOE



Backhoe

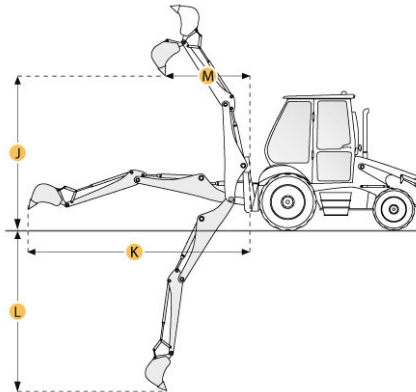
J. LOAD HEIGHT - STD	12.9 ft in	3930 mm
K. REACH FROM SWIVEL - STD	19.4 ft in	5900 mm
L. DIG DEPTH - STD	15.2 ft in	4620 mm
M. REACH AT LOAD HEIGHT - STD	6.2 ft in	1900 mm

Dimensiones

A. LONGITUD DEL TRANSPORTE	18.9 ft in	5750 mm
B. ANCHURA DEL TRANSPORTE	7.9 ft in	2400 mm
C. ALTURA DEL TRANSPORTE	13 ft in	3950 mm
D. DISTANCIA ENTRE EJES	7.2 ft in	2200 mm
E. DESPEJE DESDE EL SUELO	1.5 ft in	450 mm
F. ALTURA HASTA LA PARTE SUPERIOR DE LA CABINA	9.5 ft in	2900 mm

Loader

G. CLEARANCE AT MAX DUMP HEIGHT	9 ft in	2740 mm
H. REACH AT MAX DUMP HEIGHT	2.5 ft in	750 mm
I. DIG DEPTH	3.3 in	85 mm



CASE 695 SUPER R LOADER BACKHOE

Especificaciones

Operational		
MAX WEIGHT	19400.7 lb	8800 kg
FUEL CAPACITY	35.7 gal	135 L
HYDRAULIC SYSTEM FLUID CAPACITY	18.5 gal	70 L
OIL SYSTEM FLUID CAPACITY	3.4 gal	13 L
TRANSMISSION FLUID CAPACITY	4.8 gal	18 L
FRONT AXLE FLUID CAPACITY	2.6 gal	10 L
REAR AXLE FLUID CAPACITY	2.6 gal	10 L
TURNING RADIUS	17.5 ft in	5320 mm
TIRE SIZE FRONT - 2WD / 4WD	16.9x24 R4 12PR ISG GY	
OPERATING VOLTAGE	12 V	
ALTERNATOR SUPPLIED AMPERAGE	90 amps	

Transmission		
TYPE	Powershift	
NUMBER OF FORWARD GEARS	4	
NUMBER OF REVERSE GEARS	2	
MAX SPEED - FORWARD	25.7 mph	41.4 km/h
MAX SPEED REVERSE	8.7 mph	14 km/h

Backhoe		
DIG DEPTH - STD	15.2 ft in	4620 mm
DIG DEPTH - EXT	19.1 ft in	5810 mm
REACH FROM SWIVEL - STD	19.4 ft in	5900 mm
REACH FROM SWIVEL - EXT	22.9 ft in	6990 mm
BUCKET DIG FORCE - STD	8322.4 lb	3775 kg
BUCKET DIG FORCE - EXT	5826.8 lb	2643 kg
LOAD AT MAX LIFT - STD	3251.8 lb	1475 kg
LOAD AT MAX LIFT - EXT	2480.2 lb	1125 kg
LOAD HEIGHT - STD	12.9 ft in	3930 mm
LOAD HEIGHT - EXT	15.2 ft in	4620 mm
REACH AT LOAD HEIGHT - STD	6.2 ft in	1900 mm
REACH AT LOAD HEIGHT - EXT	9.3 ft in	2840 mm

Loader		
BUCKET WIDTH	94.5 in	2400 mm
BUCKET BREAKOUT FORCE	1240945.4 lb	5520 kN
LIFT CAPACITY AT FULL HEIGHT	7716.2 lb	3500 kg
CLEARANCE AT MAX DUMP HEIGHT	9 ft in	2740 mm
REACH AT MAX DUMP HEIGHT	2.5 ft in	750 mm
DIG DEPTH	3.3 in	85 mm

Hydraulic		
PUMP TYPE	Gear Pump	
PUMP FLOW CAPACITY	42.3 gal/min	160 L/min
RELIEF VALVE PRESSURE	3045.8 psi	21000 kPa

Dimensions		
TRANSPORT LENGTH	18.9 ft in	5750 mm
TRANSPORT WIDTH	7.9 ft in	2400 mm
TRANSPORT HEIGHT	13 ft in	3950 mm
HEIGHT TO TOP OF CAB	9.5 ft in	2900 mm
WHEELBASE	7.2 ft in	2200 mm
GROUND CLEARANCE	1.5 ft in	450 mm